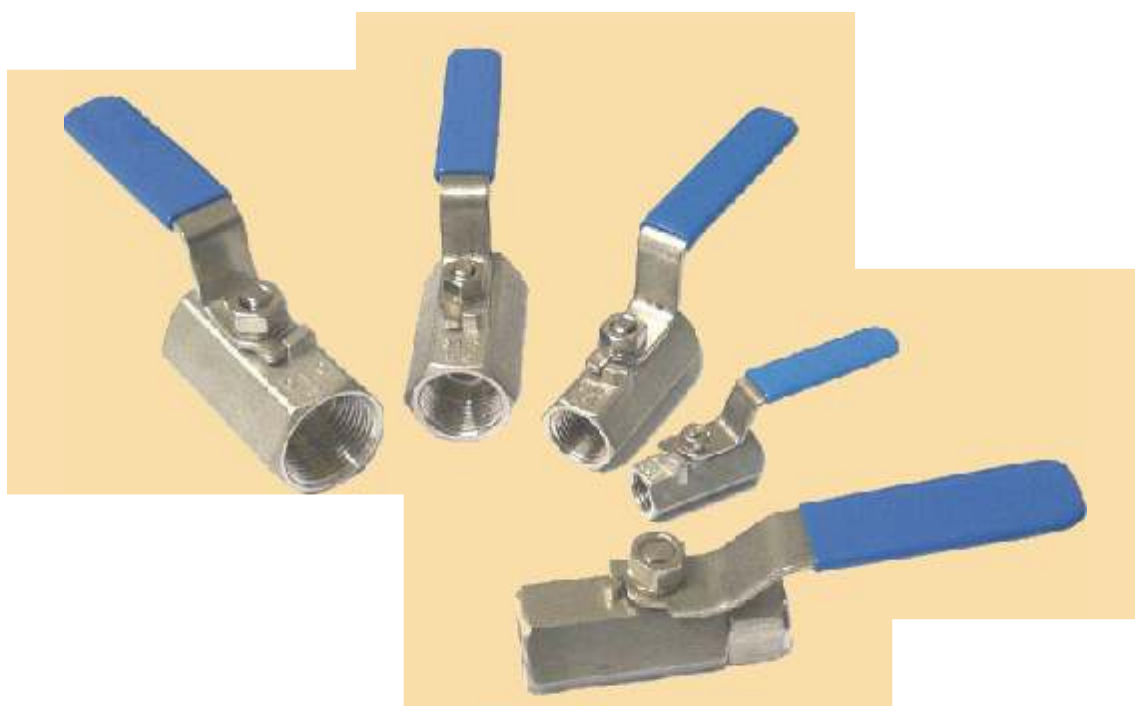


INSTRUMENT BALL VALVES

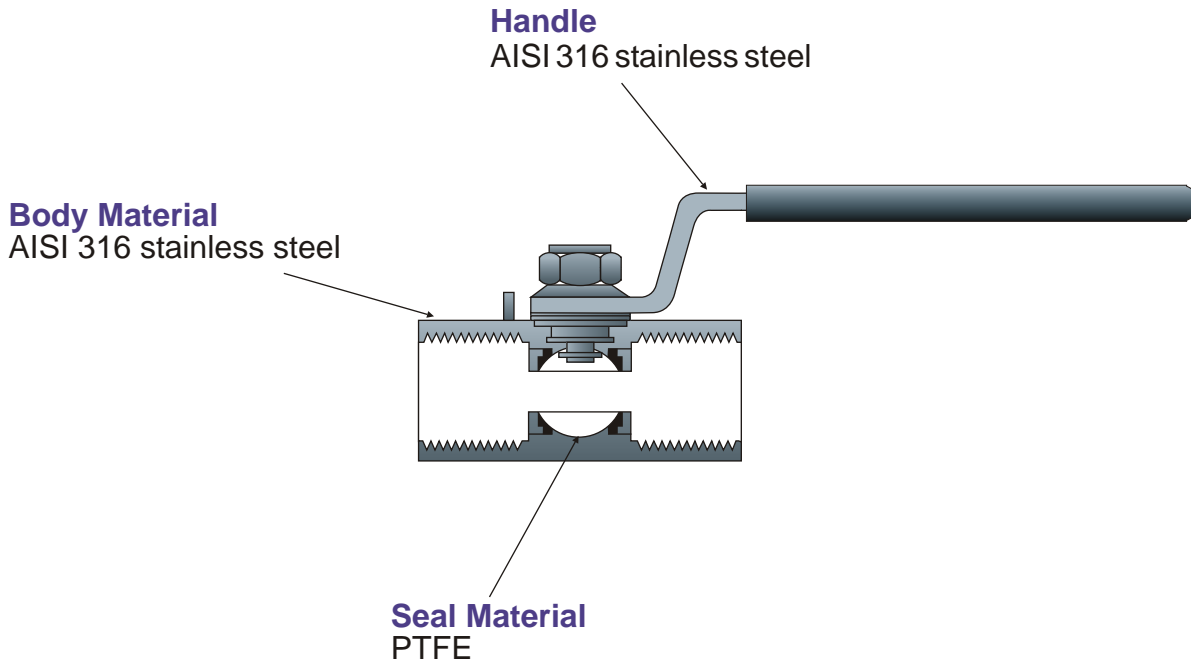
BBV SERIES



PNEUMOIDRAULICA ENGINEERING

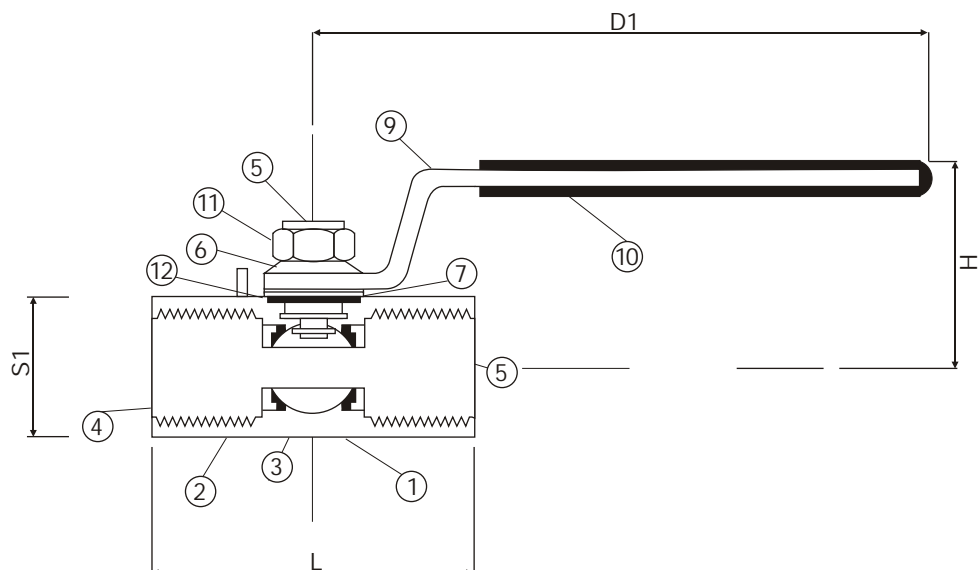
BBV Series Ball Valves

FEATURES



SPECIFICATIONS

- Economical ball valves
- Compact size
- Reduced or full bore
- Pressure rating up to 1000 PSI (PN 64)
- Temperature range -20°C / +180°C
- Threaded connections from 1/4" to 1" NPT BSPP BSPT
- NACE MR-01/75
- 94/9/CE rules (ATEX)





**PNEUMOIDRAULICA
ENGINEERING**

Via dell'Edilizia, 81/83 - 36100 Vicenza (Italia)
Tel. +39 0444 568014 - Fax +39 0444 569190
www.pneumoidraulica.com info@pneumoidraulica.com